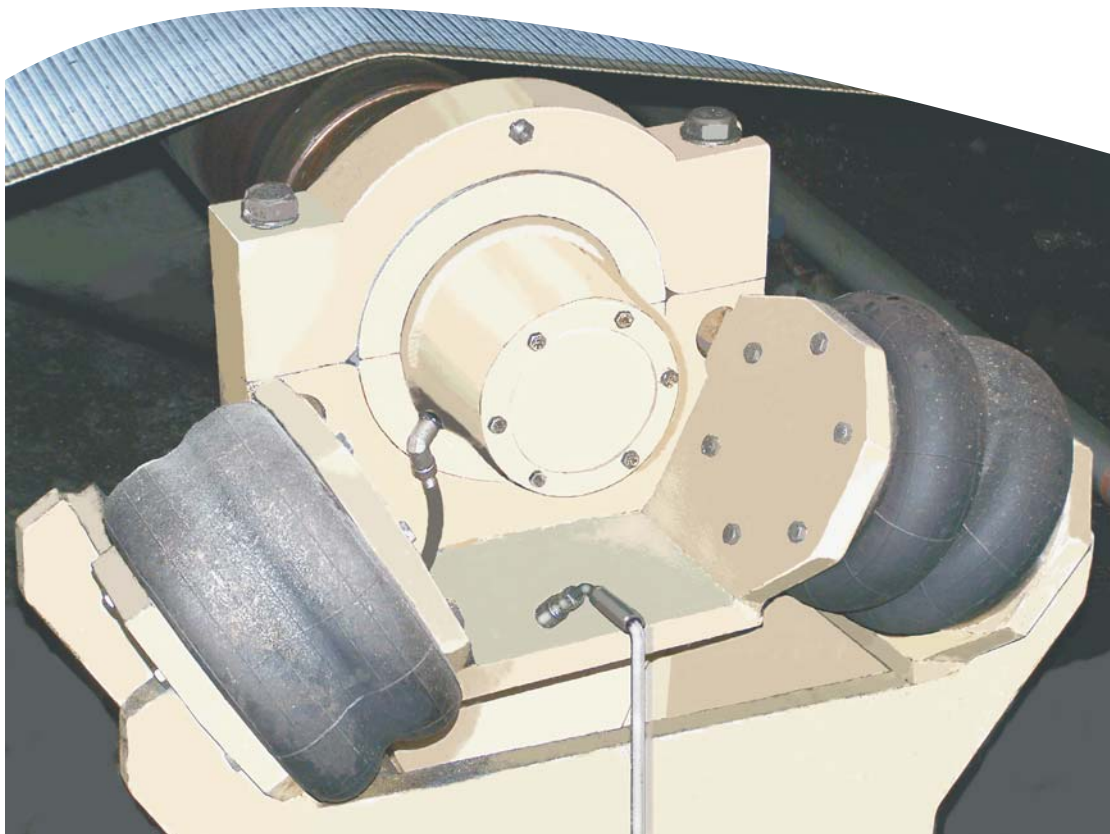


INVO[®] Guide

UMV felt- & wire guides gives you reliable and safe operation



Felt- & wire guide type FWG10.

- Safe function through dynamic guiding respond without overrun
- Can be installed in all directions even upside down
- Easy to install and maintain
- The eccentric design of the guide protects the bellows from being cut by machine clothing
- Work excellent with most control valves
- The guide is manufactured in mild steel or stainless/acid proof steel
- The guide can on request be designed for foot mounted pillow blocks
- Complete delivery consists of guide, support bracket, instrument cabinet and instructions for installation

Remark:

Wire or felt leading roll can be quoted separately.

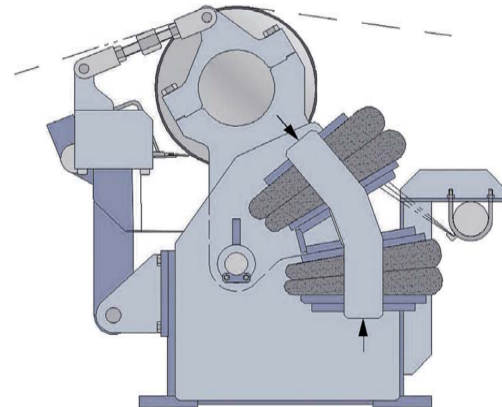
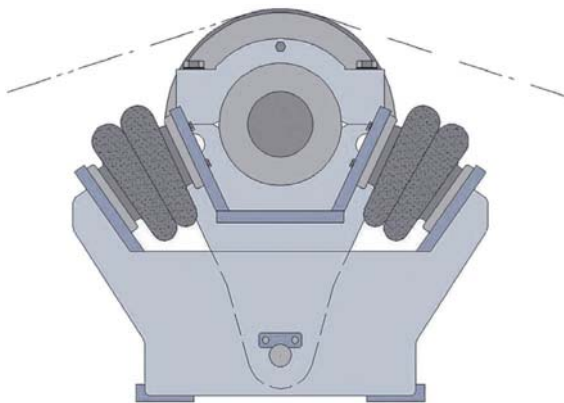
Felt- & wire guide type FWG20

For installation in fourdrinier or press sections

- Safe function through dynamic guiding gives respond without overrun
- Designed for doctor installation
- Easy to install and maintain
- The eccentric design of the guide protects the bellows from being cut by machine clothing
- The guide and support are manufactured in mild steel or stainless/acid proof steel
- The guide can on request be designed for foot mounted pillow blocks
- Complete delivery consists of guide, support bracket, instrument cabinet and instructions for installation. The pneumatic valves in most of the market fits

Remark:

Valve, wire or felt leading roll, as well as doctors, can be quoted separately.



UMV Coating Systems AB

PO Box 162, SE-661 24 Säffle, Sweden, Tel: +46 522 982 80, Fax: +46 522 983 23, info@umv.mattsson.se

www.umv.mattsson.se

A company within

